

Tunnel Illuminance Photometer (ILCAM)

General Description

The ILCAM measures and communicates to the Lighting Control Cabinet (LCC) the level of illuminance within the tunnel bore to ensure interior illumination levels are being continuously maintained, in order to affect safe lighting conditions for drivers.

The ILCAM uses a specially designed, highly light-sensitive photocell, filtered to provide a spectral response close to that of the average human eye, to react to changes in light levels within the tunnel environment.

The ILCAM measures the illuminance over a standard range of 0-20,000 lux, (max.), which can be scaled to meet user requirements.



Note: Enclosure subject to change per the selected option

Features

- CIE and IES Approved measurement technology
- Accurate measurement of tunnel illuminance within the tunnel bore
- Designed specifically for tunnels
- Rugged stainless steel construction
- Simple installation/operation
- Remote diagnostic
- Communication with LCC for remote diagnostic and configuration
- Silicon photo diode, $V\lambda$ filtered for spectral response
- Operational temperature range from -30°C to $+70^{\circ}\text{C}$
- NEMA 4x / IP56 rating

Specification subject to change without notice – ILCAM-DTS--EN-3.0 May 2020

875 Charest O. suite 210
Quebec, Qc, G1N 2C9
Canada

+1 418-977-7788
+1 418-977-7798



Specifications:

Measurement Range

Parameter	Units	Min.	Max.	Comment
Detector				Silicon photo diode, Vλ filtered lx 0 20,000
Measurement Range	Lx	0	20,000	Can be scaled within this range
Resolution	Lx		1	Display resolution
Accuracy	%	-1	+1	
Damping	seconds	1	100	Default setting 10 s.

Power

Supported voltage (as per part number)	VAC	120	480	
Voltage Tolerance	% -	-10	+10	
Nominal Current Consumption	A		0.5	
Power Up Current Consumption	A		1.5	

Interface Option

Supported Interface connection (as per part number)				Power Line, ModBus RTU via RS485 External USB, Ethernet (RJ-45) or Fiber Optic
---	--	--	--	---

Physical

Ingress Protection		NEMA 4X (IP 56)		
Operating Temperature	°C	-30	+70	Max 50°C with mains powered opt ion
Storage Temperature	°C	-30	+70	
Operating Humidity	%	0	100	
Regulatory Compliance				89/336/EEC (Electromagnetic Radiation) 73/23/EEC (Low Voltage)
Enclosure Material				Powder coated stainless steel 316 (Traffic Yellow - RAL 1023)
Dimensions	mm inches	254 X 305 X 153 10 X 12 X 6		W x H x D
Weight	Kg Lbs	1.8 4		
Warranty	Months	24		Return to base warranty. Extensions available

Specification subject to change without notice – ILCAM-DTS--EN-3.0 May 2020

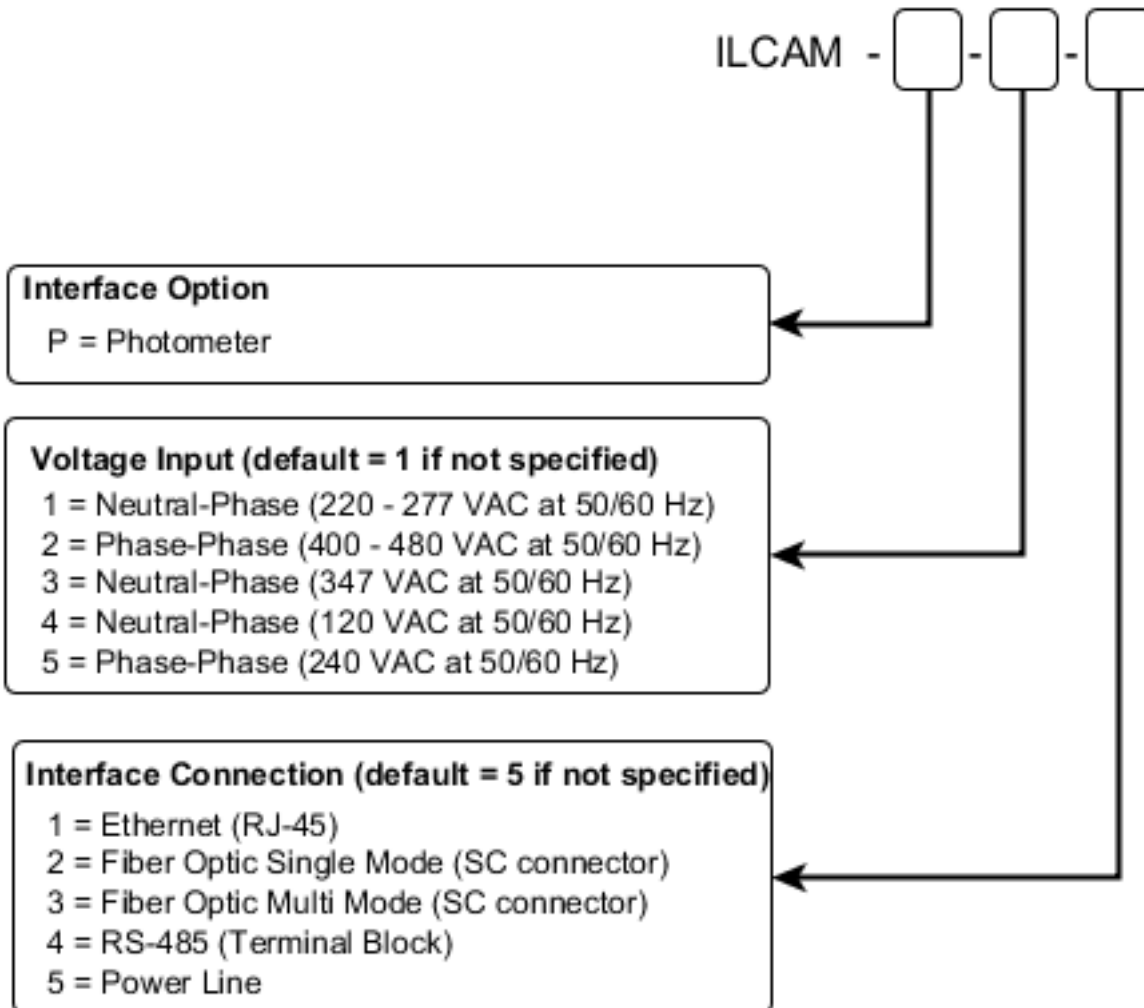


Note: Different options and configurations available. Please contact us at info@nyx-hemera.com.

Product Ordering Information

ILCAM product identification follows the chart diagram below.

For any further information, please contact info@nyx-hemera.com



Specification subject to change without notice – ILCAM-DTS--EN--3.0 May 2020

