

Local Product Controller “Twist” (LPC Twist)

The LPC Twist provides a two-way communication between luminaires and Lighting Control Cabinet (LCC) and is used to individually control and monitor luminaires. Specifically designed for 100-480 VAC installation, it must be installed in all luminaire that support AINSI C136.41 interface socket.

The LPC Twist is a component of Nyx Hemera’s Powerline Addressable Lighting Control System. It communicates over power line (PL) using a proven and reliable protocol thus greatly reducing installation, deployment, and operating costs.



Features

- Two-way powerline communication (without new wiring).
- Individually monitors and controls the luminaire with alarm reporting
- Voltage, Current, Power Factor, Power Consumption, Diagnostic and Luminaire Status reporting
- Luminaire usage hours monitoring
- LPC Internal Temperature monitoring
- Dynamic repeater function providing the optimum level of communication robustness
- Configurable fail-safe switching mode (On/Off)
- Dimming lighting stages optimisation
- Control type 0-10V dimming and ON-OFF relay
- Built-in internal photocell for local operation
- Built-in GPS to ease system commissioning and localization

Specifications

Electrical

Item	Description
Nominal input voltage	100 to 480 VAC
Frequency	50/60 Hz
Consumption	Under 3W

Luminaire Interface

Item	Description
Relay contact rated voltage	100 to 480 VAC
Relay contact rated current	5 Amp
Relay contact form	SPST-NO
Analog interface	0-10V Dimming, maximum current: 10 mA
Photocell input range	16 lux \pm 6 lux (1.5 fc \pm 0.5 fc) - Max turn-off at 65 lux (6 fc) if illumination > 10.7 lux (1 FC), north facing photo control turns on at 1.6 time average design with turn-off at max 3 X turn on level
GPS accuracy	\pm 16 ft (5 meters)

Environmental Conditions

Item	Description
Operating temperature	-40°C to 75°C
Storage temperature	-40°C to 85°C
IP Rating	IP 66

Specifications subject to change without notice – LPC480-DTS-001-EN –3.3 May 2020



Enclosure	Fully potted electronics
------------------	--------------------------

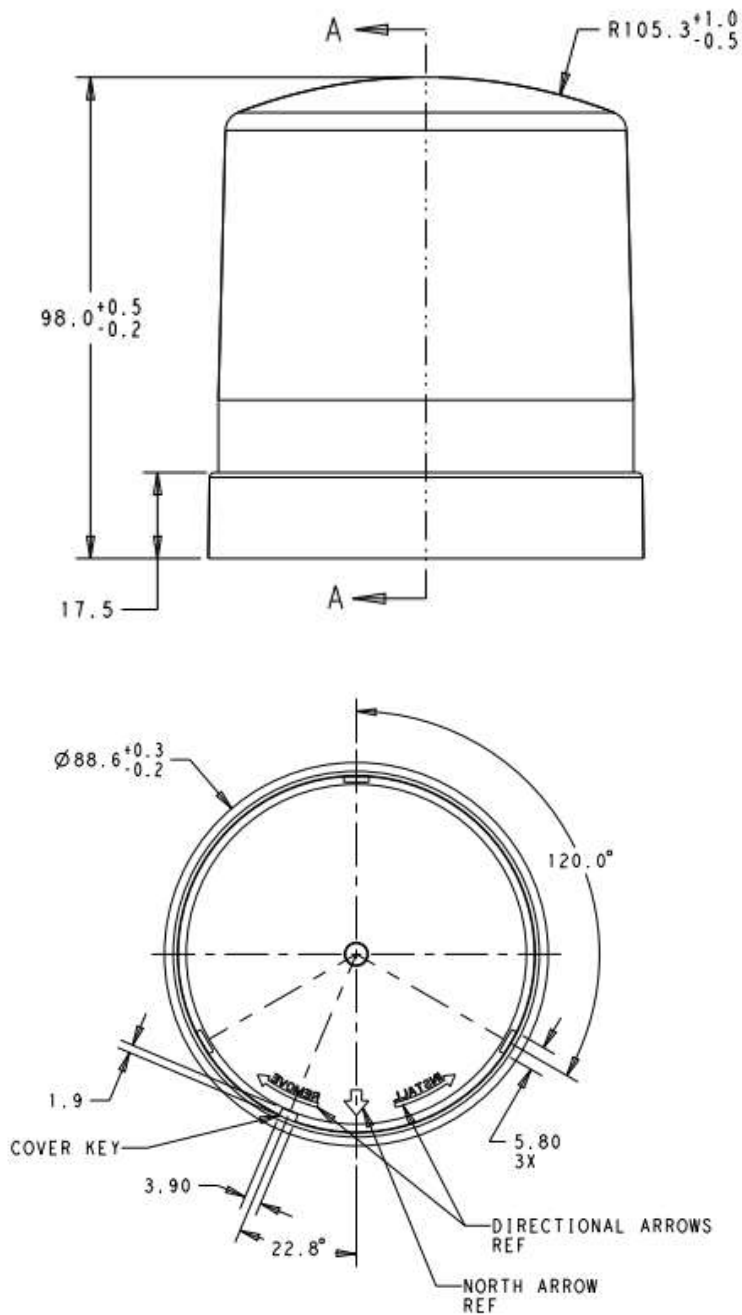
Standards

Item	Description
Safety standards	UL 916
EMC standard	EN 55032 :2012/AC :2013 EN 61000-32 :2014 (Harmonics) EN 61000-3 No. -M-3 :2013 (Flicker and voltage fluctuation) FCC 47 CFR Part 15, Subpart B ICES-003 Issue 6 January 2016
EMC immunity	EN 55024:2010 EN 61000-4-2 (Electrostatic discharge) EN 61000-4-3 (Radiated, radio-frequency, electromagnetic field) EN 61000-4-4 (Electrical fast transient/burst) EN 61000-4-5 (Surge) EN 61000-4-6 (Conducted disturbances) EN 61000-4-11 (Voltage dips, short interruptions and voltage variations)
Regulatory Listings	ANSI C136.10 - Roadway and Area Lighting Equipment - Locking-Type Photocontrol Devices and Mating Receptacles- Physical and Electrical Interchangeability and Testing ANSI C136.41 - Roadway and Area Lighting Equipment–Dimming Control Between An External Locking Type Photocontrol And Ballast Or Driver CE mark

Specifications subject to change without notice – LPC480-DTS-001-EN –3.3 May 2020



Mechanical Dimensions

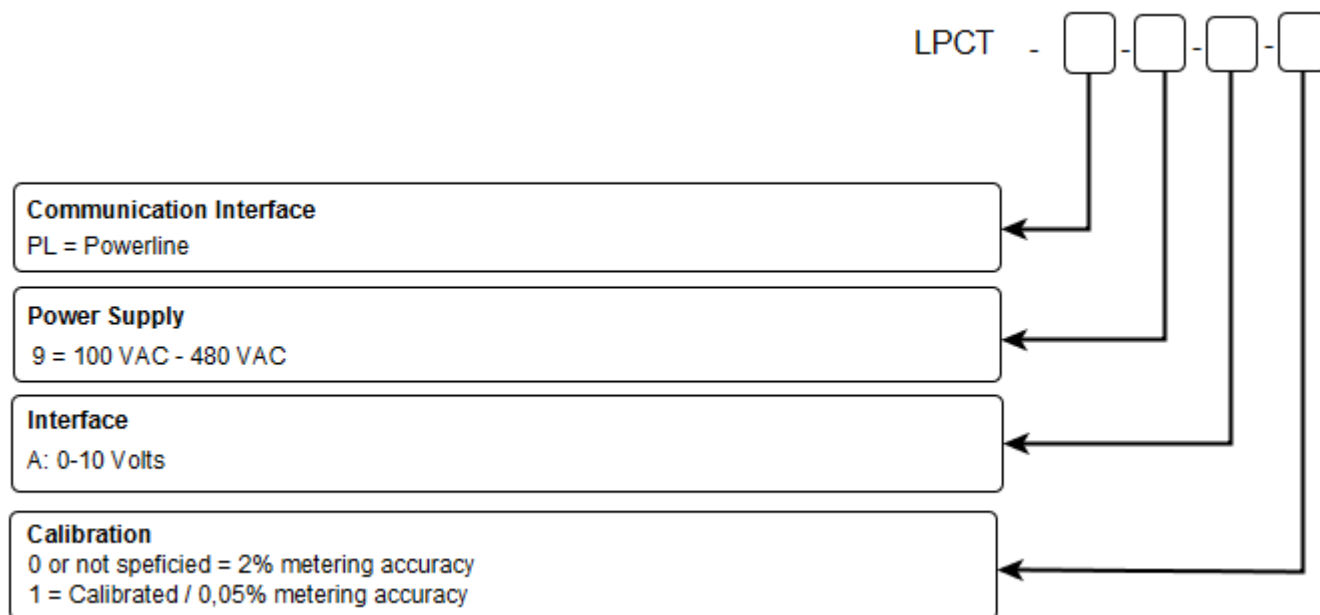


Specifications subject to change without notice – LPC480-DTS-001-EN – 3.3 May 2020

875 Charest O. suite 210
Quebec, Qc, G1N 2C9
Canada

+1 418-977-7788
+1 418-977-7798

Product Ordering Information



P/N for LPC Extended Warranty 5 additional years: LPCT-EXT-W5

For more information, please contact us at info@nyx-hemera.com

Specifications subject to change without notice – LPC480-DTS-001-EN –3.3 May 2020

875 Charest O. suite 210
Quebec, Qc, G1N 2C9
Canada

+1 418-977-7788
+1 418-977-7798

