

## Local Product Controller 480 (LPC 480)

The LPC 480 provides a two-way communication between luminaires and Lighting Control Cabinet (LCC) and is used to individually control and monitor luminaires. Specifically designed for 100-480 VAC tunnel installation, it can be embedded in a tunnel luminaire or installed in a junction box.

The LPC 480 is a component of Nyx Hemera's Tunnel Lighting Addressable Control System (TLACS). It communicates over power line (PL) using a proven and reliable protocol thus greatly reducing installation, deployment, and operating costs.



## Features

- Two-way powerline communication (without new wiring).
- Individually monitors and controls the luminaire with alarm reporting
- Voltage, Current, Power Factor, Power Consumption, Diagnostic and Luminaire Status reporting
- Luminaire burn hours monitoring
- LPC Internal Temperature monitoring
- Dynamic repeater function providing the optimum level of communication robustness
- Configurable fail-safe switching mode (On/Off)
- Dimming lighting stages optimisation
- Luminaire alternations support to average luminaire usage
- Control type DALI, 0-10V dimming and ON-OFF relay

## Specifications

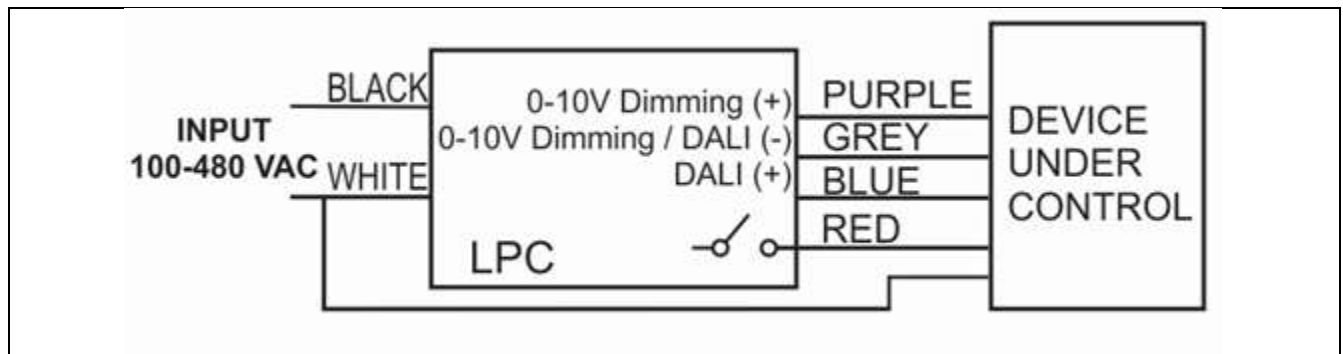
### Electrical

Item	Description
Nominal input voltage	100 to 480 VAC
Frequency	50/60 Hz
Consumption	Under 3W

### Luminaire Interface

Item	Description
Relay contact rated voltage	100 to 480 VAC
Relay contact rated current	Max 4 Amp at 100-347 VAC Max 2 Amp at 480 VAC
Relay contact form	SPST-NO
Analog interface	0-10V Dimming, maximum current: 10 mA
Digital interface	DALI

### Wiring Diagram



## Environmental Conditions

Item	Description
<b>Operating temperature</b>	-40°C to 75°C
<b>Storage temperature</b>	-40°C to 85°C
<b>IP Rating</b>	IP 66
<b>Enclosure</b>	Fully potted electronics

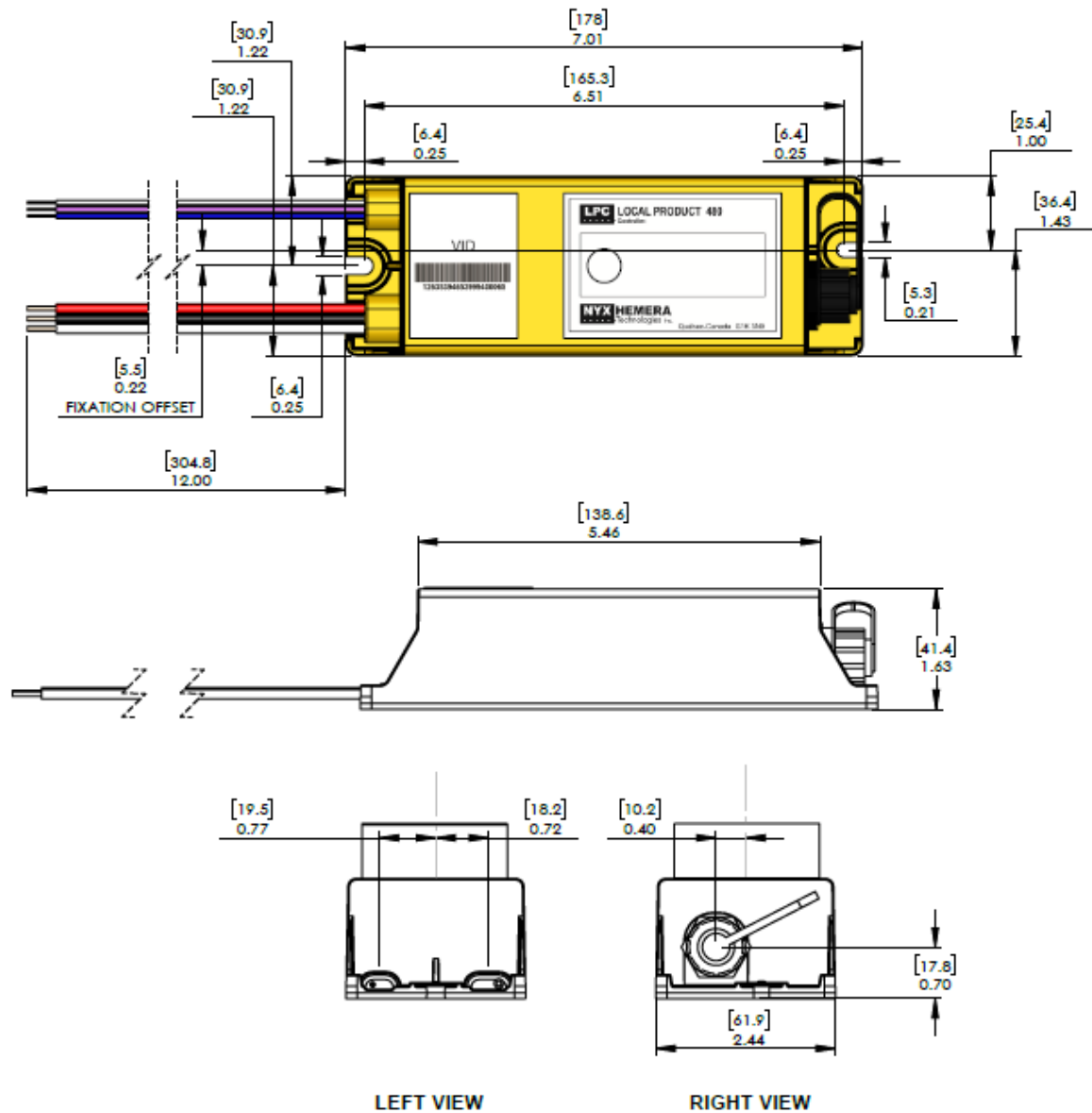
## Standards

Item	Description
<b>Safety standards</b>	CSA 60950-1-07 Second Edition UL 60950-1, Second Edition – Certified to U.S. Standards CAN/CSA C22.2 No. 0-M91 (R2001) CAN/CSA C22.2 No. 60950-1-07, 2nd Ed. Am 2:2014 (MOD) ANSI/UL Std No. 60950-1-2014, 2nd Ed. IEC 60950-1:2005 IEC 60950-1:2005/AMD1:2009 IEC 60950-1:2005/AMD2/2013 UL 916
<b>EMC standard</b>	EN 55032 :2012/AC :2013 EN 61000-32 :2014 (Harmonics) EN 61000-3 No. -M-3 :2013 (Flicker and voltage fluctuation) FCC 47 CFR Part 15, Subpart B ICES-003 Issue 6 January 2016
<b>EMC immunity</b>	EN 55024:2010 EN 61000-4-2 (Electrostatic discharge) EN 61000-4-3 (Radiated, radio-frequency, electromagnetic field) EN 61000-4-4 (Electrical fast transient/burst) EN 61000-4-5 (Surge) EN 61000-4-6 (Conducted disturbances) EN 61000-4-11 (Voltage dips, short interruptions and voltage variations)



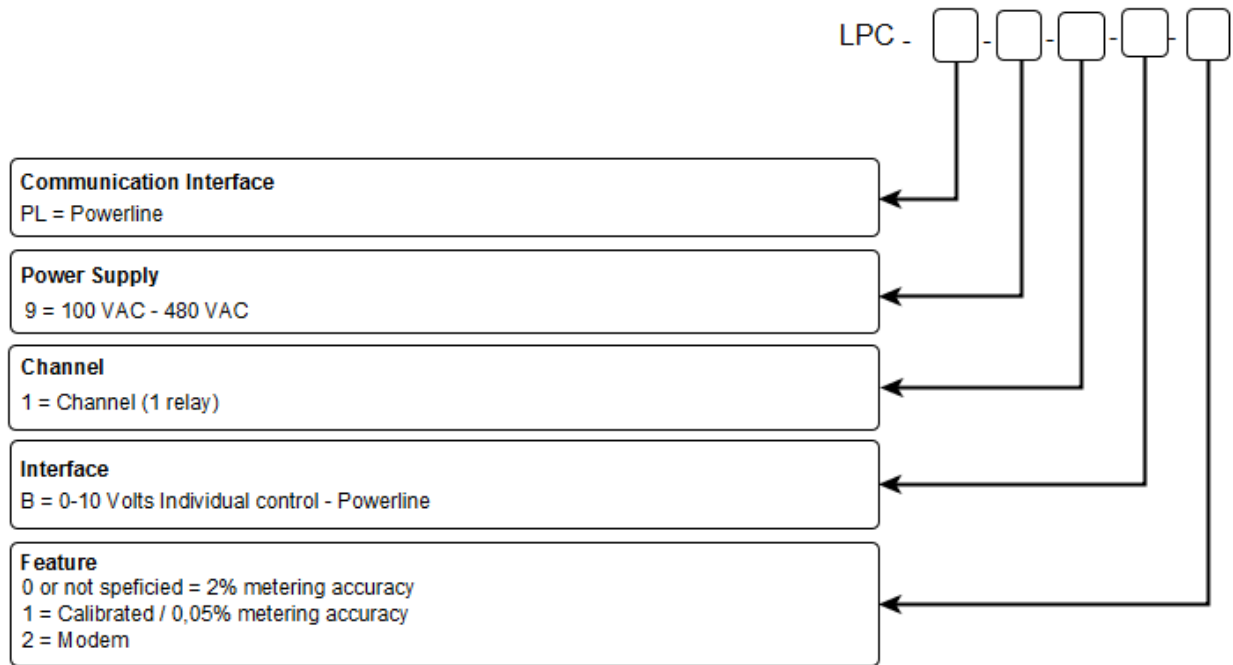
## Mechanical Dimensions

Length: 178 mm (7.01 in.) / Width: 61.90 mm (2.44 in.) / Height: 41.4 mm (1.63 in.)



**Product Ordering Information**

LPC product identification follows the chart diagram below



**LPC 480 models and configurations**

P/N for LPC Extended Warranty 5 additional years: LPC-EXT-W5

For more information, please contact us at [info@nyx-hemera.com](mailto:info@nyx-hemera.com)

