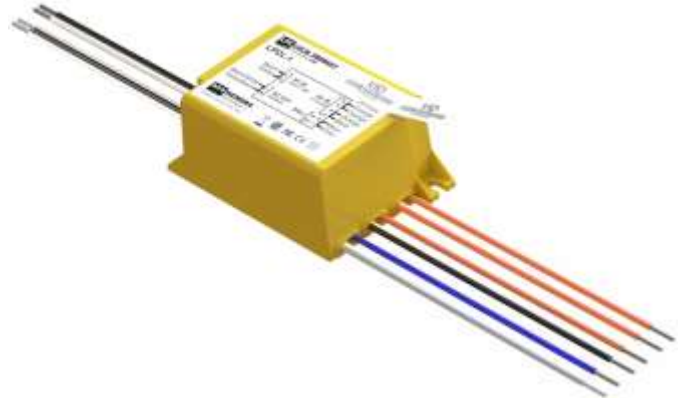


Local Product Controller Lite (LPC Lite)

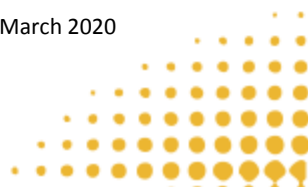
The LPC Lite provides a two-way communication between luminaires and Lighting Control Cabinet (LCC) and is used to individually control and monitor luminaires. Specifically designed for 100-277 VAC tunnel installation (347 VAC and 480 VAC models are also available on request), it is embedded in a tunnel luminaire and has the flexibility to interface the new generation of luminaire drivers.

The LPC Lite is a component of Nyx Hemera's Tunnel Lighting Addressable Control System (TLACS). It communicates over power line (PL) using a proven and reliable protocol thus greatly reducing installation, deployment, and operating costs.



Features

- Two-way powerline communication (without new wiring).
- Individually monitors and controls the luminaire through DALI interface with alarm reporting.
- Voltage, Current, Power Factor, Power Consumption, Diagnostic and Luminaire Status reporting per chosen driver's capability.
- Luminaire burn hours monitoring
- Electrical parameters and status reporting.
- Dynamic repeater function providing the optimum level of communication robustness.
- Configurable fail-safe switching mode (On/Off).
- Dimming lighting stages optimisation
- Luminaire alternations support to average luminaire usage.



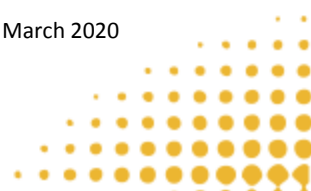
Specifications

Electrical

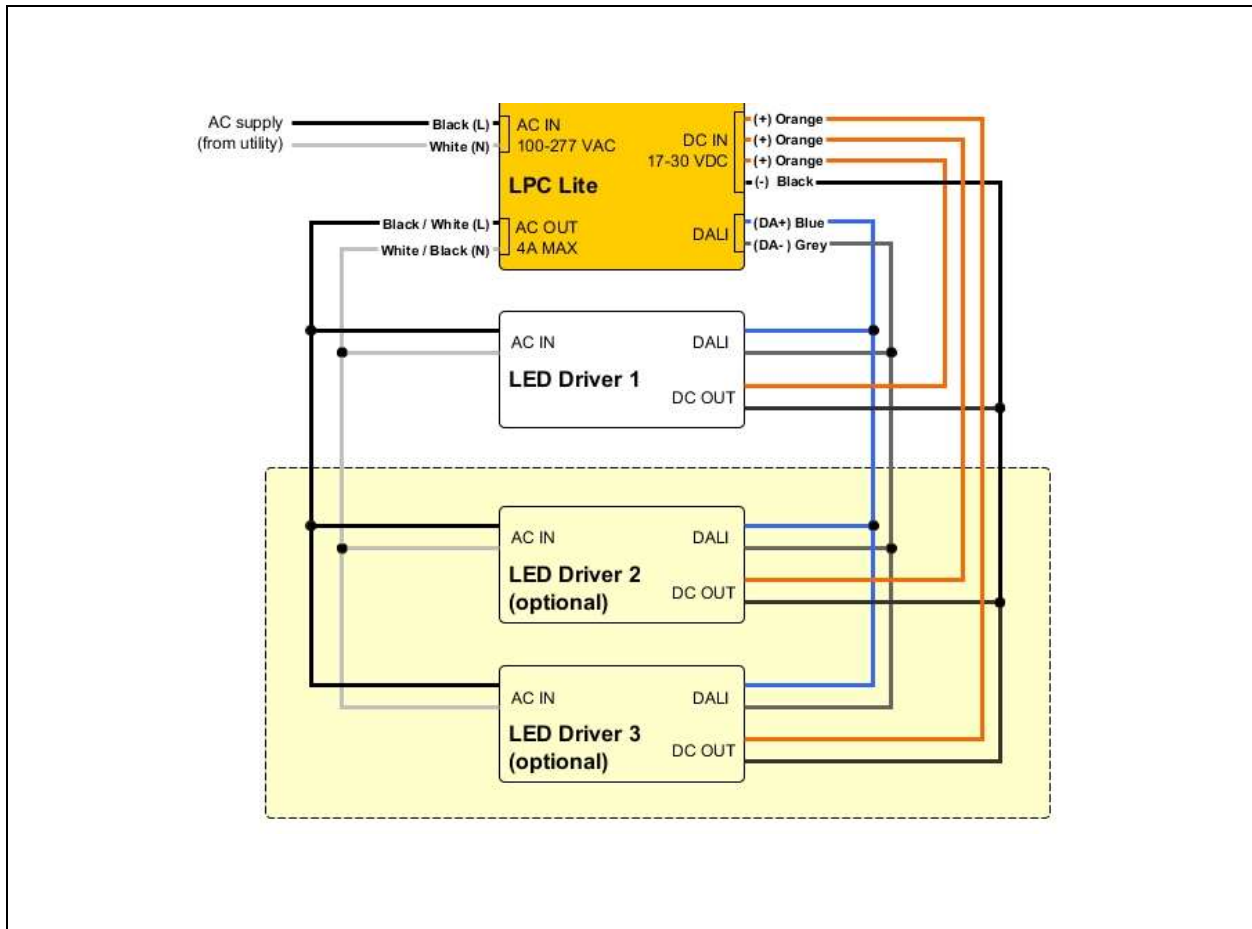
Item	Description
Nominal input voltage	100 to 277 VAC (347 VAC and 480 VAC available on request)
Maximum Output Current	4 amps (100 to 277 VAC)
Frequency	50/60 Hz
Consumption	Under 3W

Luminaire Interface

Item	Description
Digital interface	DALI, or any other protocol available on request.
Power Supply Input	17 VDC to 30 VDC

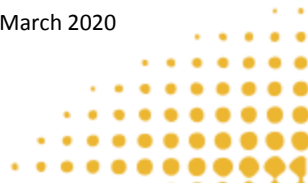


Wiring Diagram



Environmental Conditions

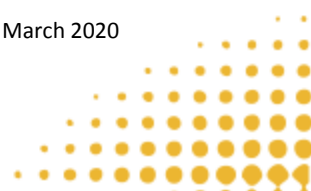
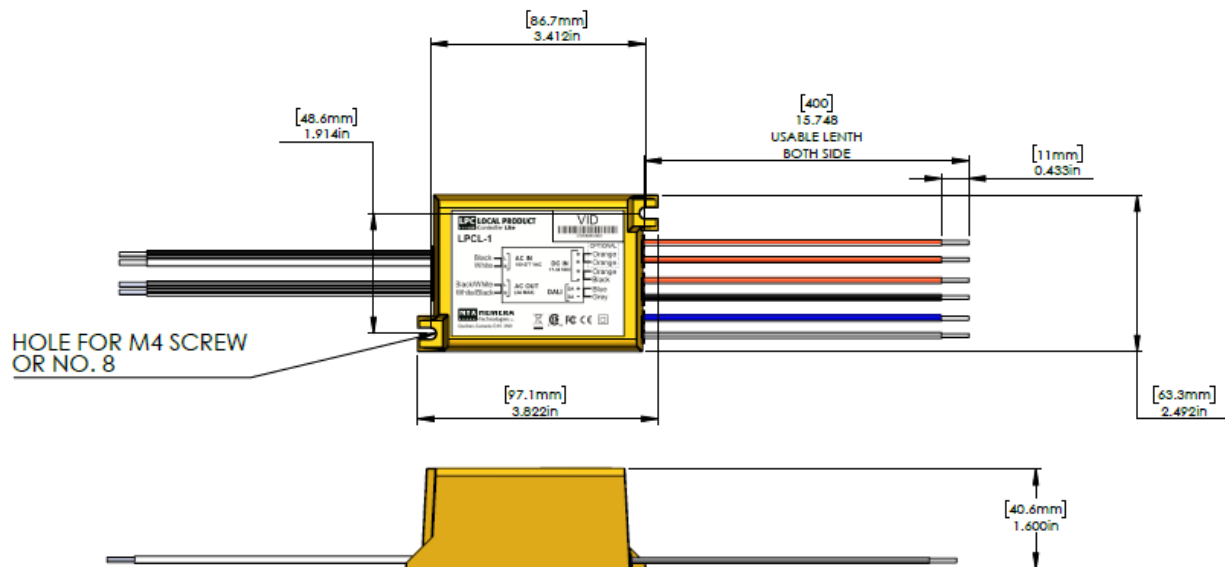
Item	Description
Operating temperature	-40°C to 75°C
Storage temperature	-40°C to 85°C
IP Rating	IP 66
Enclosure	Fully potted electronics



Standards

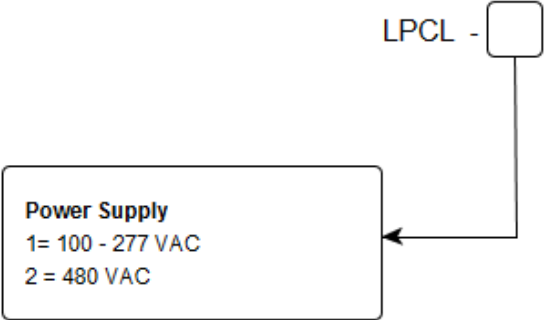
Item	Description
Safety standards	Pending CSA and UL for USA and Canada
EMC standard	EN 55032 :2012/AC :2013 EN 61000-32 :2014 (Harmonics) EN 61000-3 No. -M-3 :2013 (Flicker and voltage fluctuation) FCC 47 CFR Part 15, Subpart B ICES-003 Issue 6 January 2016
EMC immunity	EN 55024:2010 EN 61000-4-2 (Electrostatic discharge) EN 61000-4-3 (Radiated, radio-frequency, electromagnetic field) EN 61000-4-4 (Electrical fast transient/burst) EN 61000-4-5 (Surge) EN 61000-4-6 (Conducted disturbances) EN 61000-4-11 (Voltage dips, short interruptions and voltage variations)

Mechanical Dimensions



Product Ordering Information

LPC Lite product identification follows the chart diagram below



LPC Lite models and configurations

LPC Extended Warranty 5 additional years: LPCL-EXT-W5

For more information, please contact us at info@nyx-hemera.com

