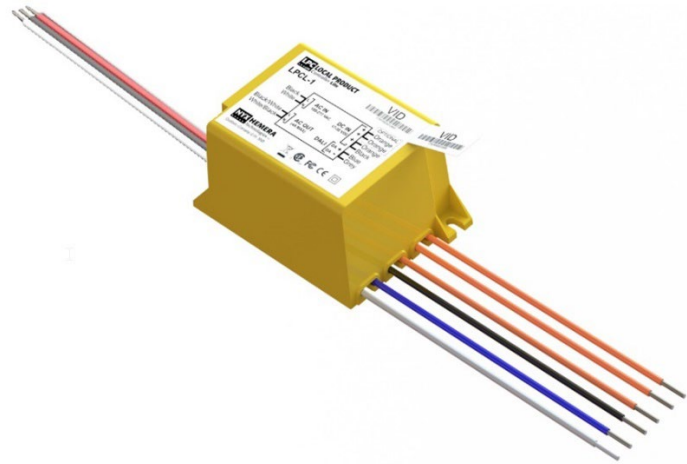


## Local Product Controller Lite (LPC Lite)

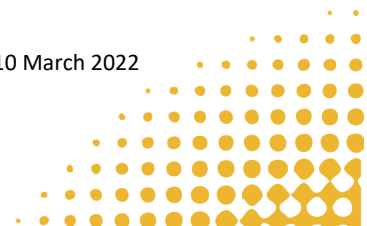
The LPC Lite provides two-way communication between luminaires and the TLACS main controller and is used to individually control and monitor luminaires. Specifically designed for 100-480 VAC infrastructure installations, it is embedded in a luminaire and has a flexible interface with the new generation of DALI luminaire drivers.

The LPC Lite communicates over power line (PL) using a proven and reliable protocol, thus greatly reducing installation, deployment, and operating costs.



## Features

- Wide input range of from 100 to 480 VAC.
- Two-way power line communication (without additional control wiring)
- Embedded power line filter and dynamic repeater function provide the optimum level of communication robustness
- Individual luminaire monitoring and controlling
- Voltage, current, power factor, power consumption, diagnostic and luminaire status reporting per chosen driver's capability
- Light loss compensation per luminaire burn hours
- Configurable fail-safe switching mode (on/off/dim)
- Luminaire alternations support to average luminaire usage
- Control type : DALI



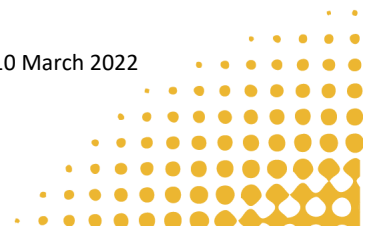
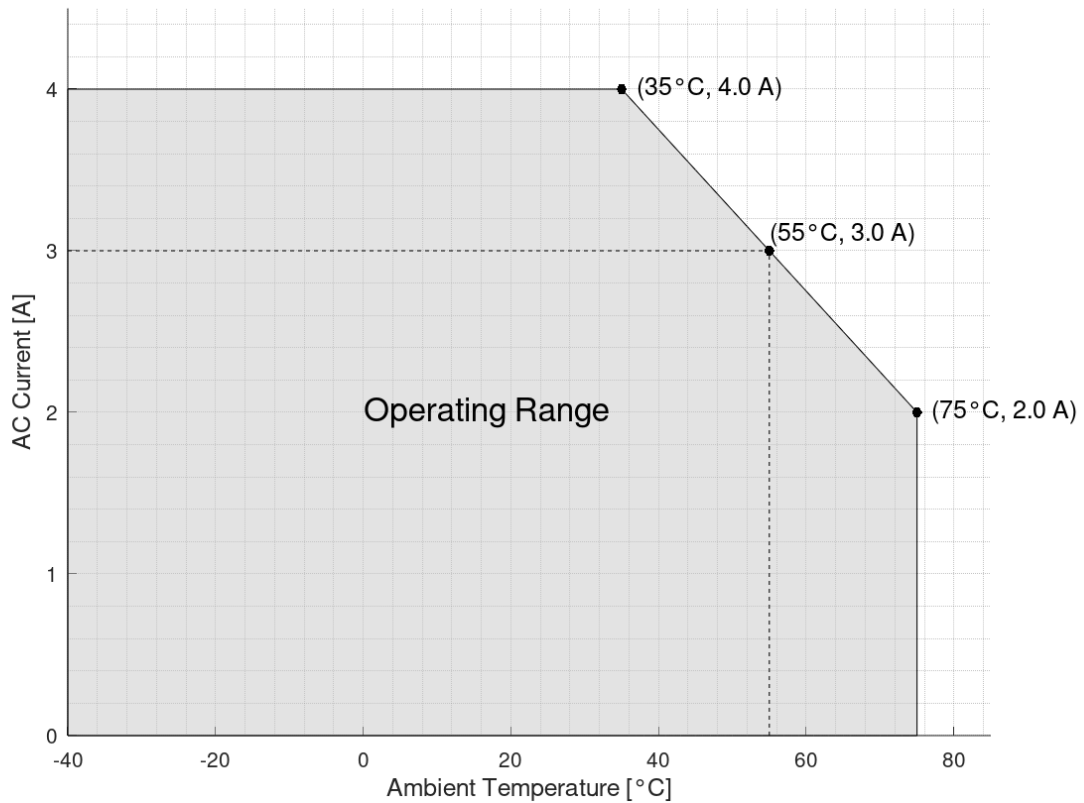
**DC Electrical**

Item	Description
DC Supply Input	18 VDC to 32 VDC
Consumption VDC supply	Peak 2 W Typical 1 W

**AC Electrical**

Item	Description
AC voltage (nominal)	100 to 480 VAC (min. 90 VAC, max. 530 VAC)
Frequency (nominal)	50-60 Hz
AC Load rating	<b>UL 916</b> 3 A at 55°C *see recommended derating curve

**Load Current vs Temperature Recommended Derating Curve**

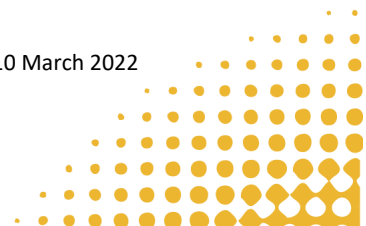
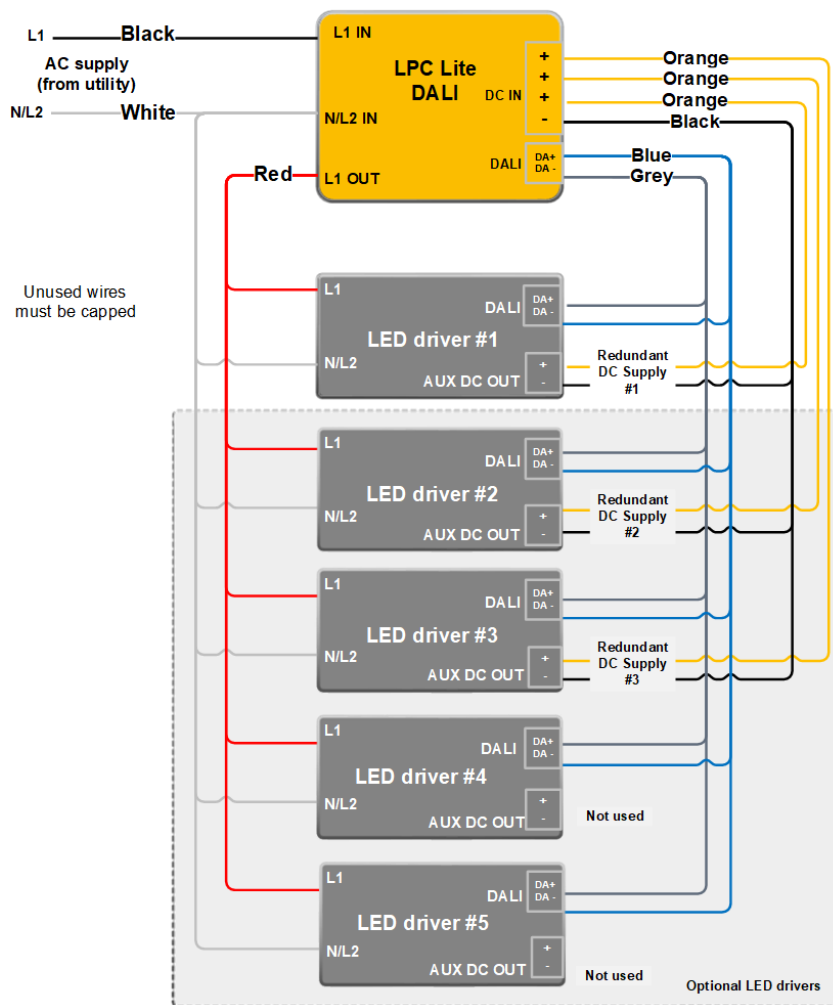


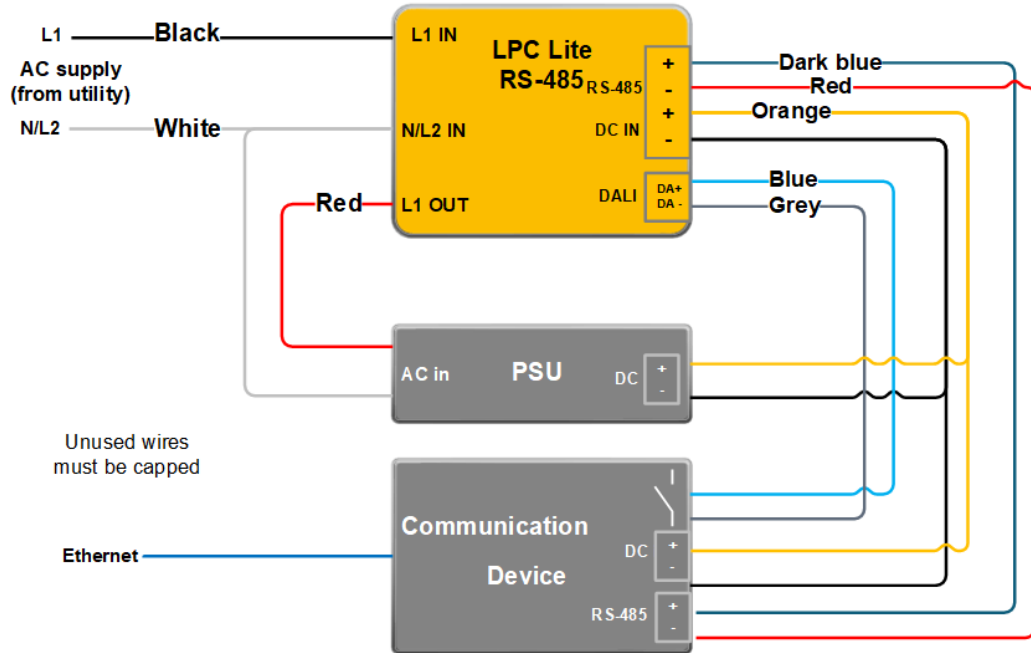
## Optional Interfaces\*

Item	Description
<b>DALI</b>	Embedded DALI supply max. 10 mA typical Up to 5 drivers, 2 mA max. per driver
<b>RS-485</b>	Serial communication up to 115 200 bps
<b>Dry contact sense</b>	Closed-contact detection

\*Other protocols available on request.

## Wiring Diagram





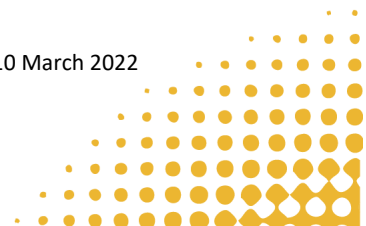
## Environmental Conditions

Item	Unit	Min	Max
Operating temperature	°C	-40	75 *
	°F	-40	167
Storage temperature	°C	-40	85
	°F	-40	185
Rating	Open Type - For installation in a suitable enclosure		

\*According to derating curve

## Standards

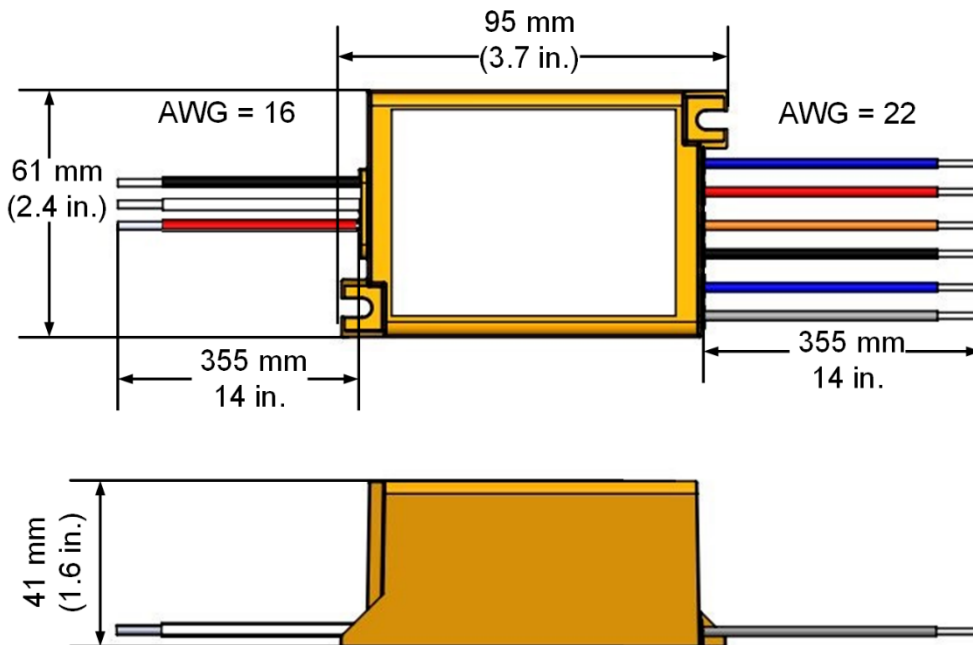
Item	Description
Safety standards	UL 916
EMC standard	EN 55032 :2012/AC : 2013 EN 61000-3-2 : 2014 (Harmonics) EN 61000-3-3 : 2013 (Flicker and voltage fluctuation) FCC 47 CFR Part 15, Subpart B ICES-003 Issue 6 January 2016



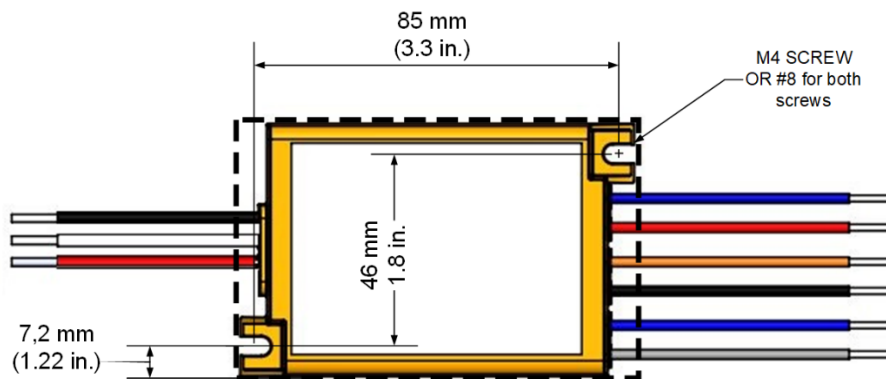
Item	Description
<b>EMC immunity</b>	EN 55024:2010
	EN 61000-4-2 (Electrostatic discharge)
	EN 61000-4-3 (Radiated, radio-frequency, electromagnetic field)
	EN 61000-4-4 (Electrical fast transient/burst)
	EN 61000-4-5 (Surge)
	EN 61000-4-6 (Conducted disturbances)
	EN 61000-4-11 (Voltage dips, short interruptions and voltage variations)

**Mechanical Dimensions**

Overall (L x W x H): 31.7 in. (805 mm) x 2.4 in. (61 mm) x 1.6 in. (41 mm)



**Drill Template**



**Product Ordering Information**



Segment name (left to right)	Segment value	Description
<b>Model</b>	LPCL	Local Product Controller Lite
<b>Communication interface</b>	PL	Power line communication
<b>Input voltage range</b>	9	100-480 VAC input voltage
<b>Channel</b>	1	Channel (1 relay, filtered)
<b>Luminaire interface</b>	D	DALI luminaire interface
	R	RS-485
<b>Features</b>	0	Luminaire control/monitoring
	1	Reserved, do not use
	2	Modem
	3	Photometer (monitoring and control)

- P/N for LPC Extended Warranty 5 additional years: LPCL-EXT-W5

For more information, please contact us at [info@nyx-hemera.com](mailto:info@nyx-hemera.com)

